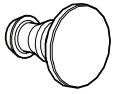


Hardware (included)



x1, door pin



x1, door pin spacer

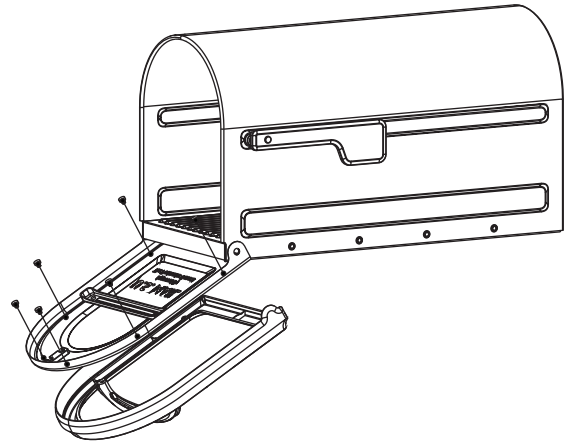
Tools (not included)

One Phillips Screwdriver

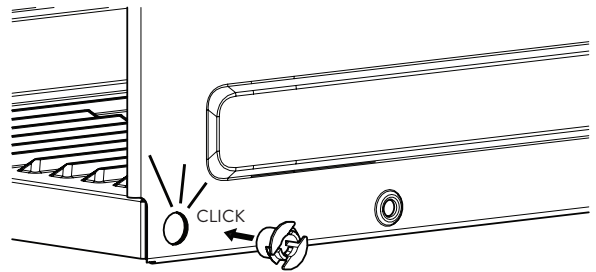


If your mailbox has a frame on the door, start with step '1a'. If your mailbox does not have a frame, skip to step '1b'.

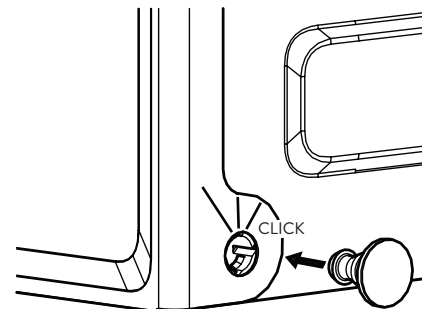
- 1a** Unscrew the 6 screws on the backside of the door to remove the decorative frame.



- 1b** Insert the door pin spacer into the hole on the body of mailbox.



- 2** Align the mailbox door with the body and insert the door pin through the hole on the door and into the door pin spacer to secure the door to the body.



Questions, Comments, Concerns?

 www.architecturalmailboxes.com

 support@architecturalmailboxes.com

Need keys? Visit us at...

www.architecturalmailboxes.com/keys

Find us on social media!



@archmailboxes