

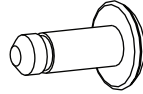


ARCHITECTURAL
MAILBOXES®

Door Pin Replacement Instructions MODEL 2681

Hardware (included)

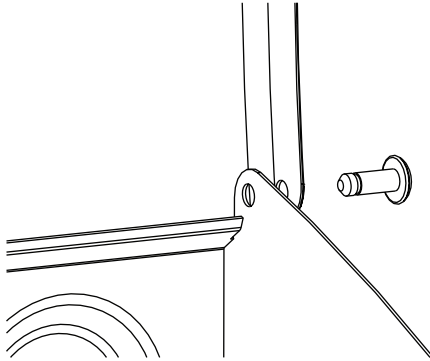
x1, door pin



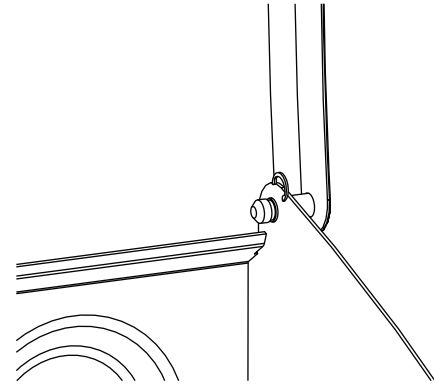
x1, door pin clip



- 1** Push the door pin through the holes on the lid and body of the mailbox with the point of the pin facing inward.



- 2** Secure the door pin with the door pin clip by affixing it into the door pin groove.



Questions, Comments, Concerns?

 www.architecturalmailboxes.com

 support@architecturalmailboxes.com

Need keys? Visit us at...

www.architecturalmailboxes.com/keys

Find us on social media!



@archmailboxes