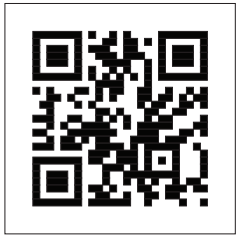




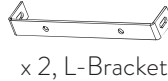
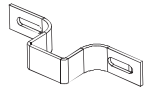
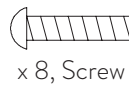
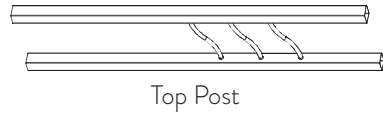
CONTACT YOUR LOCAL POST OFFICE BEFORE INSTALLING THE MAILBOX TO ENSURE ITS CORRECT PLACEMENT AND HEIGHT AT THE STREET. GENERALLY, MAILBOXES ARE INSTALLED AT A HEIGHT OF 41-45 INCHES FROM THE ROAD SURFACE TO INSIDE FLOOR OF THE MAILBOX OR POINT OF MAIL ENTRY (LOCKED DESIGNS) AND ARE SET BACK 6-8 INCHES FROM THE FRONT FACE OF CURB OR ROAD EDGE TO THE MAILBOX DOOR.

### Video Instructions

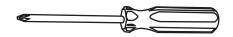
(scan QR code with phone camera)



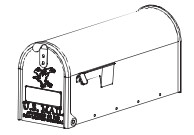
### Parts (included)



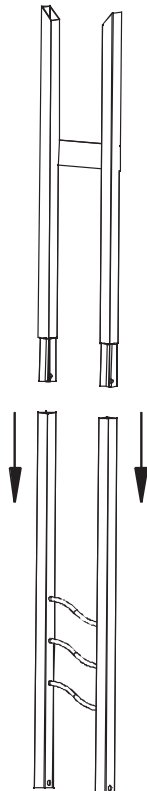
### Tools and Supplies (not included)



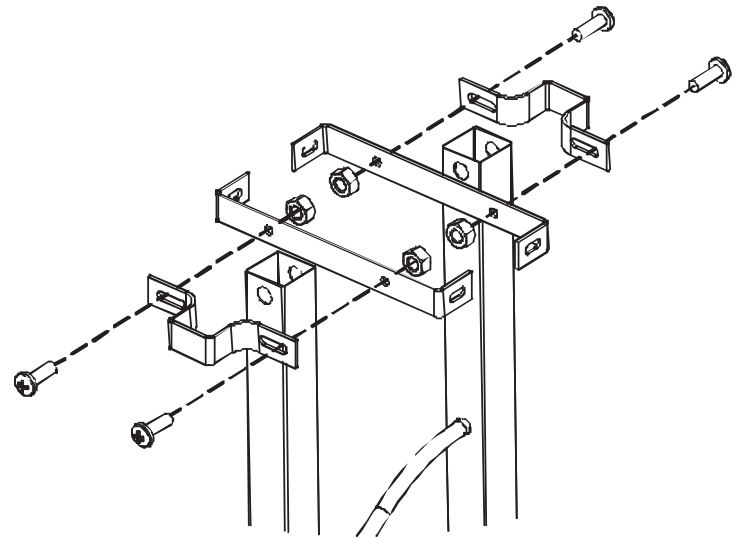
Use of concrete recommended in areas with loose soil.



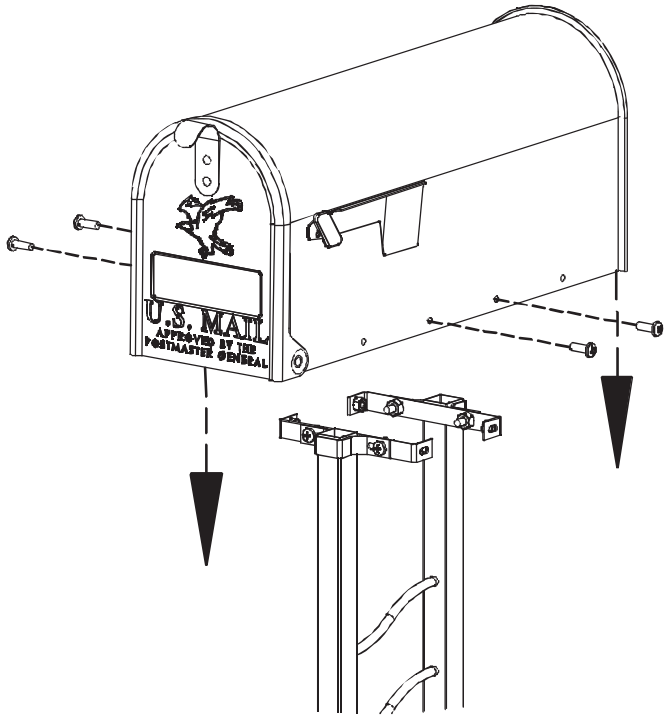
- Turn the top post upside down and place on a flat surface. Insert the bottom post into the top post by lifting the post assembly up and pounding it on a non-abrasive surface until the post assembly is connected securely.



- Position the (2) post brackets and (2) L-brackets as shown. Attach the (2) post brackets and the (2) L-brackets to the post assembly using (4) screws and (4) hex nuts.

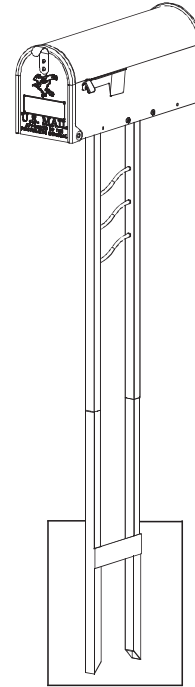


- 3** Attach mailbox (not included) to the post assembly using (4) screws and (4) hex nuts.



- 4** Check for underground cables or pipes before digging. Dig a hole measuring 12" deep and 8" in diameter. Place the mailbox post assembly in the hole. Replace and pack down the dirt around the post making sure the assembly remains level.

*Note: Use of concrete recommended.*



Questions, Comments, Concerns?

 [www.architecturalmailboxes.com](http://www.architecturalmailboxes.com)

 [support@architecturalmailboxes.com](mailto:support@architecturalmailboxes.com)

Find us on social media!



@archmailboxes

revised 6/30/2023 © 2023, Architectural Mailboxes