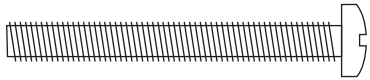


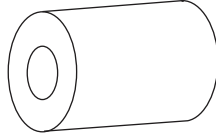


CONTACT YOUR LOCAL POST OFFICE BEFORE INSTALLING THE MAILBOX TO ENSURE ITS CORRECT PLACEMENT AND HEIGHT AT THE STREET. GENERALLY, MAILBOXES ARE INSTALLED AT A HEIGHT OF 41-45 INCHES FROM THE ROAD SURFACE TO INSIDE FLOOR OF THE MAILBOX OR POINT OF MAIL ENTRY (LOCKED DESIGNS) AND ARE SET BACK 6-8 INCHES FROM THE FRONT FACE OF CURB OR ROAD EDGE TO THE MAILBOX DOOR.

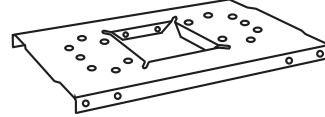
Parts / Hardware (included)



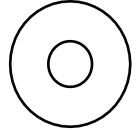
(4) #10-24 x 1 3/4" Screws



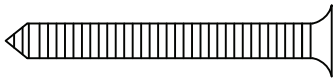
(8) Plastic Spacers



(1) Mounting Plate



(4) #10 Oversized Washer



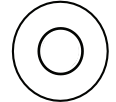
(4) #8 x 1 3/4" Galvanized Wood Screws



(8) #10-24 x 3/4" Screws



(8) #10-24 Hex Nuts



(4) #10 Flat Washer

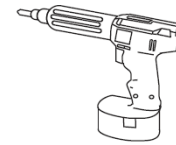
Tools and Supplies (not included)



Phillips Screwdriver

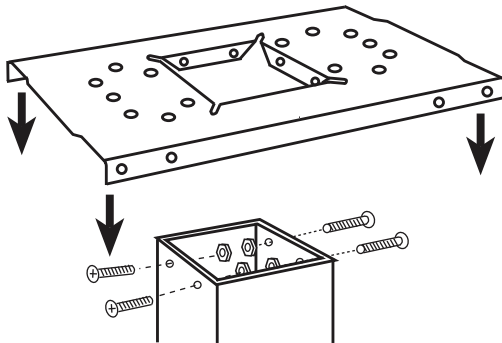


Wrench



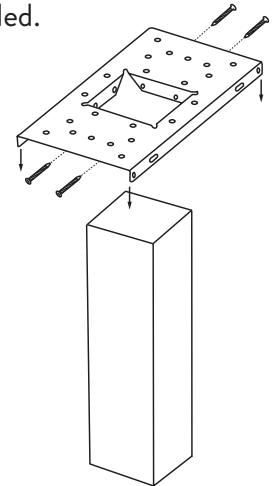
Cordless Drill with Phillips Bit

- 1 Mounting to a metal post.** Attach mounting plate to post with 4 (#10-24 x 3/4") screws and 4 (#10-24) hex nuts.

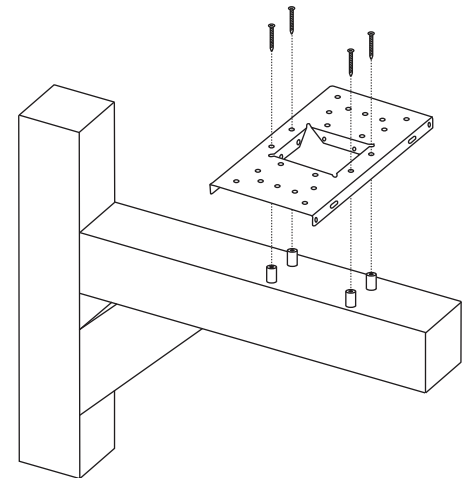
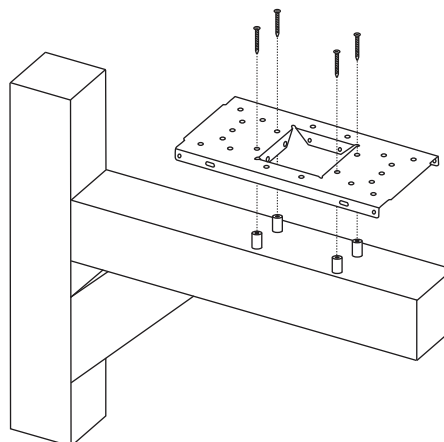


- 2 Mounting to a 4x4 wood post.**

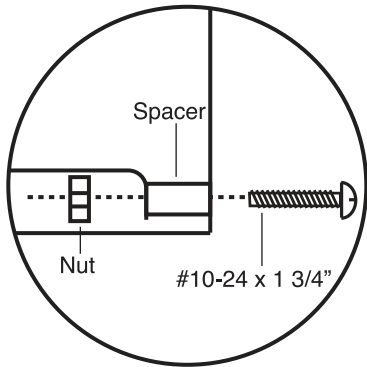
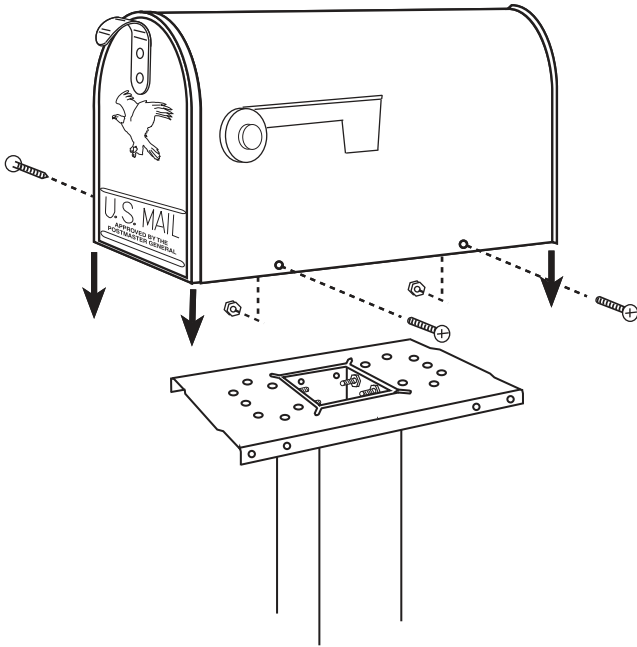
Slide mounting plate onto post and secure with wood screws provided.



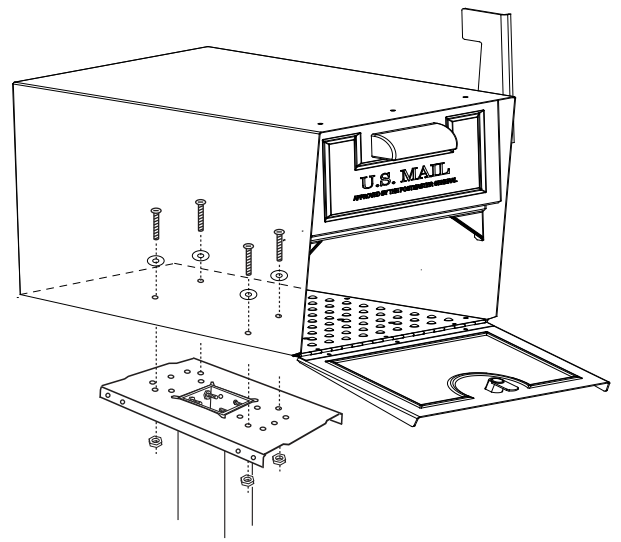
- 3 Mounting to a wood or plastic crossarm.** Use (4) spacers to lift mounting plate. Ensure provided 4 (#8 X 1 3/4") wood screws go through the mounting plate and spacers and secure to crossarm.



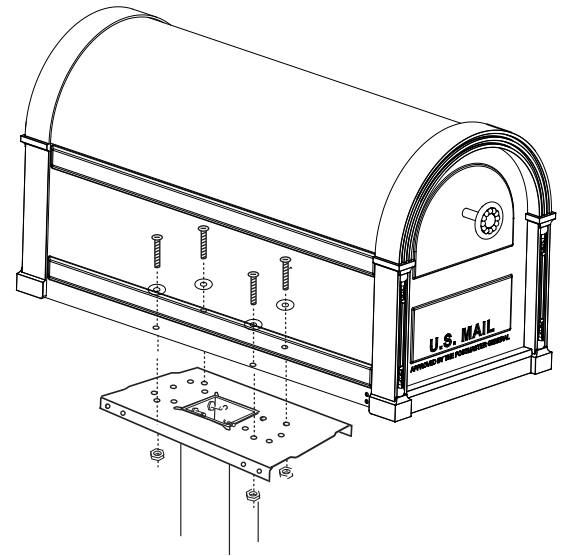
4 Mounting a Standard T1 or Large T2 Size Mailbox. Attach mailbox to mounting plate with 4 (#10-24 x 3/4") screws and 4 (#10-24) hex nuts.



NOTE: Spacers are provided to mount a larger (T2) size mailbox.



Accommodates most bottom mount style mailbox installations.



Attach mailbox to mounting plate with 4 (#10-24 x 3/4") screws, 4 (#10 oversized) washers and 4 (#10-24) hex nuts.

Questions, Comments, Concerns?

www.architecturalmailboxes.com

support@architecturalmailboxes.com

Find us on social media!



@archmailboxes