

Patriot Mailbox Mounting Board

Model Series GMB225

INSTALLATION INSTRUCTIONS

For use with Architectural Mailboxes Patriot Mailboxes, or Patriot Post Kit
(sold separately)...

Mounts to any 4x4 wood post (#10 screws sold separately)

Tools (not included)

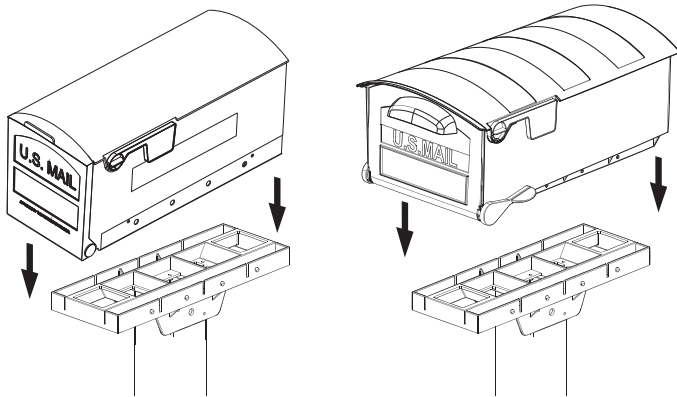


Phillips Screwdriver
Destornillador Phillips

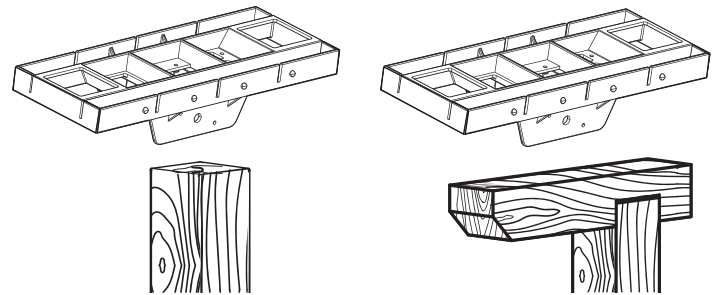


Box Cutter
Exacto

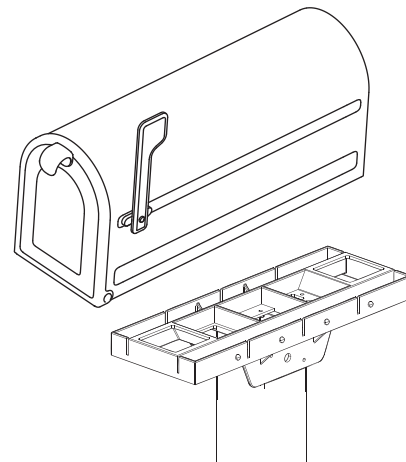
1 **Mounting Architectural Mailboxes Patriot™ mailbox (sold separately):** Mailbox snaps to mounting bracket (no special tools needed).



2 **Mounting bracket on wood post:** Attach bracket with #10 wood screws (screws sold separately).



3 **Mounting any Medium Mailbox:** Secure mailbox to mounting bracket with four self tapping panhead screws (screws not included). If necessary, trim snaps off mounting bracket.



Questions, Comments, Concerns?

 www.architecturalmailboxes.com

 support@architecturalmailboxes.com

Find us on social media!



@archmailboxes