



Read instructions before proceeding with assembly. Check parts list to be sure all parts and hardware are included.

POSTAL PATRONS ARE REQUIRED TO CONTACT THE LOCAL POST OFFICE BEFORE INSTALLING THE MAILBOX TO ENSURE ITS CORRECT PLACEMENT AND HEIGHT FROM THE STREET. GENERALLY, MAILBOXES ARE INSTALLED AT A HEIGHT OF 41-45 INCHES FROM THE ROAD SURFACE TO INSIDE FLOOR OF THE MAILBOX AND ARE SET BACK 6-8 INCHES FROM THE FRONT FACE OF CURB OR ROAD EDGE TO THE MAILBOX DOOR.

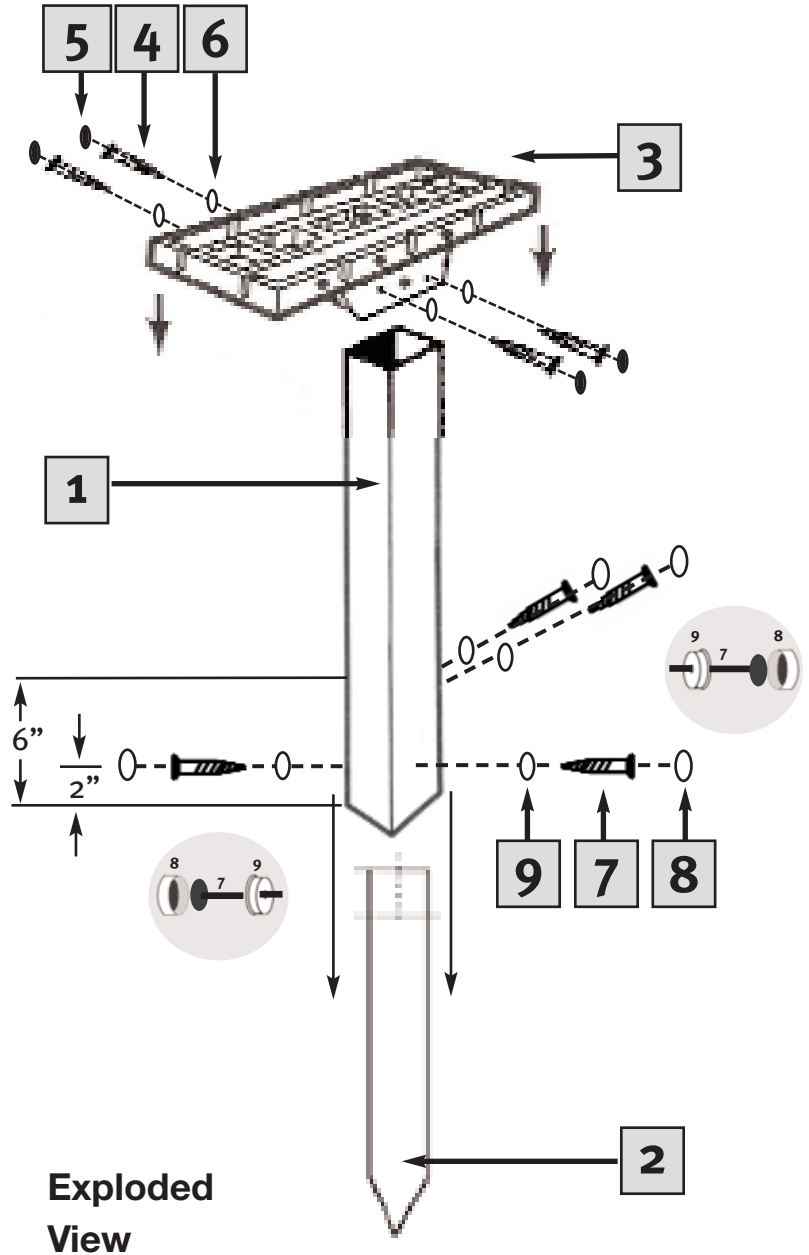
PARTS INCLUDED

1. 40" Post
2. 32" Ground Mount Stake
3. Mounting Bracket
4. *3/4" Phillips Pan Head Screw (8)
5. Small Screw Cap Covers-Black (4)
6. Small Screw Cap Base-Clear (4)
7. #12 x 1-1/2" Phillips Pan Head Screw (4)
8. Large Screw Cap Covers-Black (4)
9. Large Screw Cap Base-Clear (4)

TOOLS REQUIRED

- Electric Drill or Phillips Head Screwdriver
- 1/16" Drill Bit
- Heavy Hammer
- Level (optional)
- Safety Goggles

*4 of these items are for mounting your purchased mailbox



MAILBOX POST ASSEMBLY

1

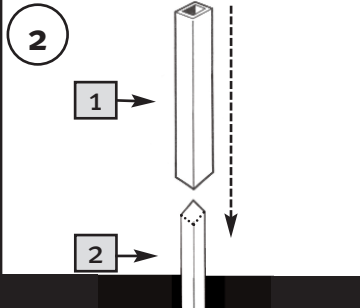


CAUTION: To Avoid Damage, Do Not Hammer Post. Place a scrap piece of wood on top of stake then hammer.

Wear safety goggles for Step 1 procedure

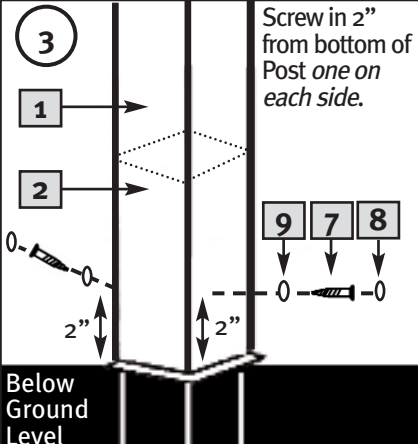
STEP 1. DRIVE GROUND MOUNT STAKE INTO GROUND. When driving the ground mount use a piece of scrap wood on top of the stake to prevent splitting. Or dig hole and set in cement. Leave at least 13" above ground. (Check for straightness with level if desired)

2



STEP 2: SLIDE ROUGHNECK POST 1 ON GROUND MOUNT STAKE 2.

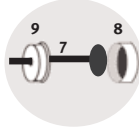
3



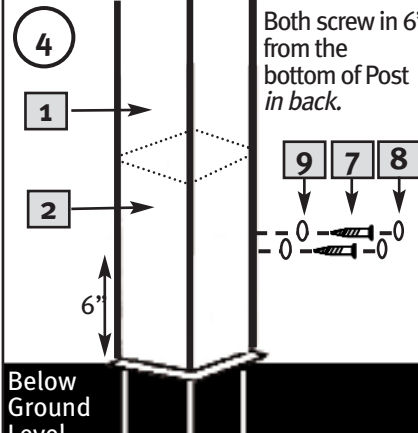
Screw in 2" from bottom of Post one on each side.

Below Ground Level

STEP 3: SECURE SIDES OF ROUGHNECK POST: Pre-drill 1/16" holes 2" from bottom of Post on both sides. Screw in (2) #12 x 1-1/2" Phillips Pan Head Screws 7 into Clear Hinged Screw Base 9. Push on White Hinged Screw Covers 8.



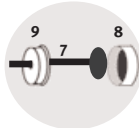
4



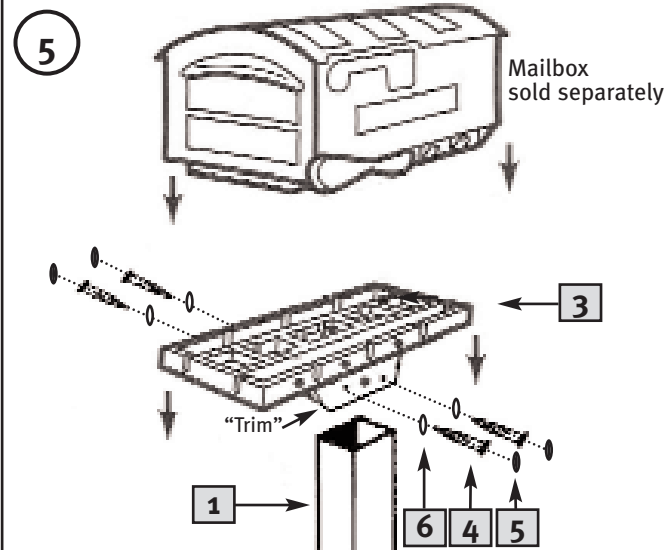
Both screw in 6" from the bottom of Post in back.

Below Ground Level

STEP 4: SECURE BACK OF ROUGHNECK POST: Pre-drill 1/16" holes 6" from bottom of Post on back evenly spaced. Screw in (2) #12 x 1-1/2" Phillips Pan Head Screws 7 into Clear Hinged Screw Base 9. Push on White Hinged Screw Covers 8.



5



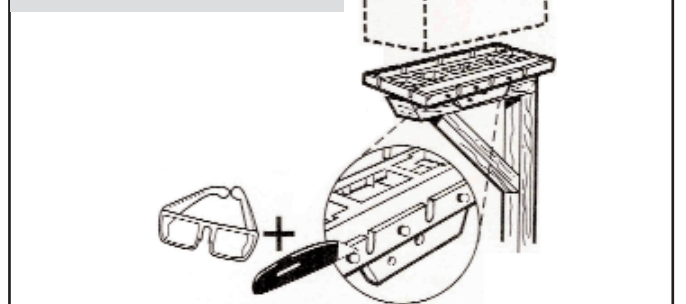
Mailbox sold separately

"Trim"

STEP 5: ADD MOUNTING BRACKET

- Place **Mounting Bracket 3** on **Post 1** and mark where (4) 3/4" Phillips Screws 4 will be inserted. Use small holes in "trim" of mounting Bracket as shown above.
- Remove **Mounting Bracket 3** and pre-drill 1/16" holes.
- Fit **Mounting Bracket 3** on top of **Post 1**, and secure with (4) 3/4" Phillips Screws 4 into **Small Screw Cap Bases 6** (2 on each side). Push on **Small Screw Cap Covers 5**.
- For Rubbermaid® Mailbox: Snap Purchased Mailbox to **Mounting Bracket 3**.
- For Standard No. 1 Mailbox: Secure Mailbox to **Mounting Bracket 3** with remaining (4) 3/4" Phillips Screws. If necessary, trim snaps off **Mounting Bracket**.

Trimming Snaps Instructions



After you have Secured mailbox to Mounting Bracket you may, if necessary, trim the snaps off of the Mounting Bracket. To do this be sure to wear Safety Goggles. Then carefully cut snaps off with a razor blade as shown in Illustration.