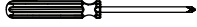
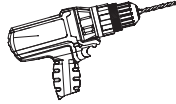


Tools (not included)

One Phillips Screwdriver



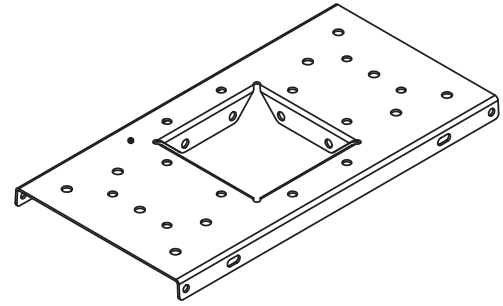
One Drill



One Wrench



- or -



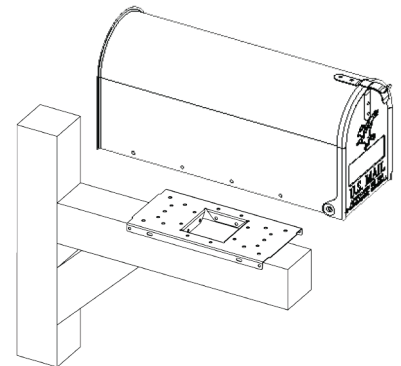
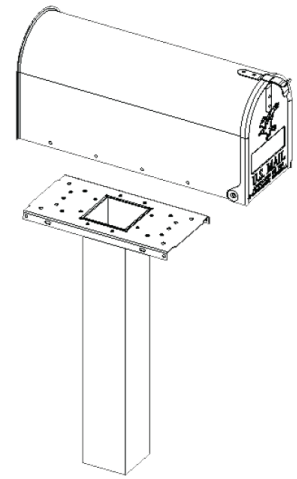
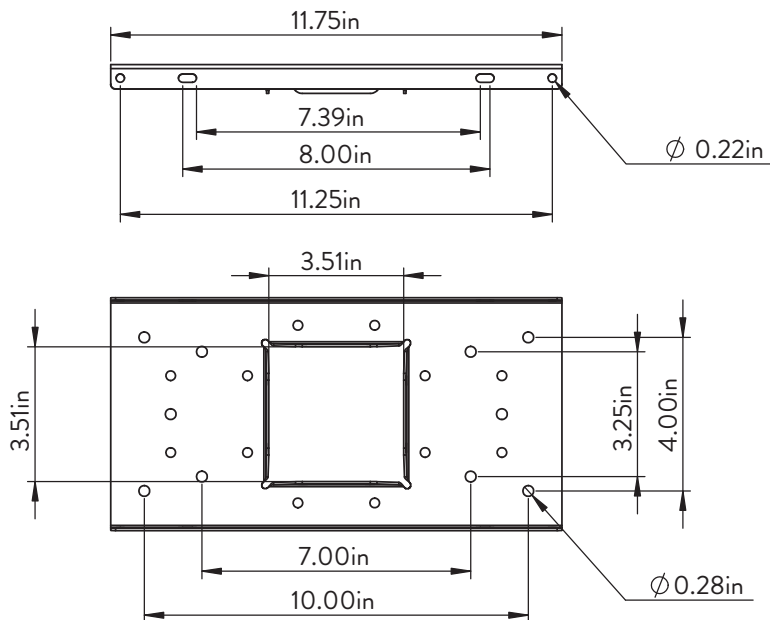
INSTALLATION INSTRUCTIONS *Instrucciones de Instalación*

- 1 Mounting bracket fits pedestal mount, standard 4x4 wood posts and hollow posts measuring 3 1/2" square.

Para los estribos de montaje del pedestal, norma postes de madera de 4x4 y postes huecos de medición 3 1/2" cuadrado.

Bracket mounts to crossarm in both directions; traditional or side mount.

Soporte se monta en la cruceta en ambas direcciones; tradicional o de montaje lateral.



Questions, Comments, Concerns?

 www.architecturalmailboxes.com

 support@architecturalmailboxes.com

Find us on social media!



@archmailboxes