

# CLASSIC

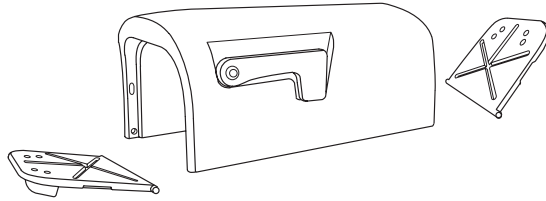
# MAILBOX & POST COMBO

INSTALLATION INSTRUCTIONS / INSTRUCCIONES DE INSTALACION

Recommended Tools & Supplies:  
Recomendó Herramientas y Suministros:

**WARNING: CHECK FOR UNDERGROUND CABLES OR PIPES BEFORE DIGGING.**  
**ADVERTENCIA: CHEQUE PARA CABLES O TUBOS SUBTERRÁNEOS ANTES DE CAVAR.**

## PARTS / PARTES



1- Wrap with Flag  
Envoltura con Bandera

2- Doors  
Puertas

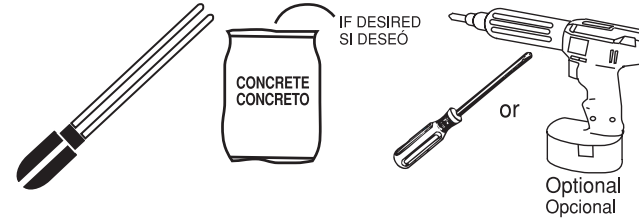
1- Base

1- Post  
Poste

Screws / Vis /  
Tornillos

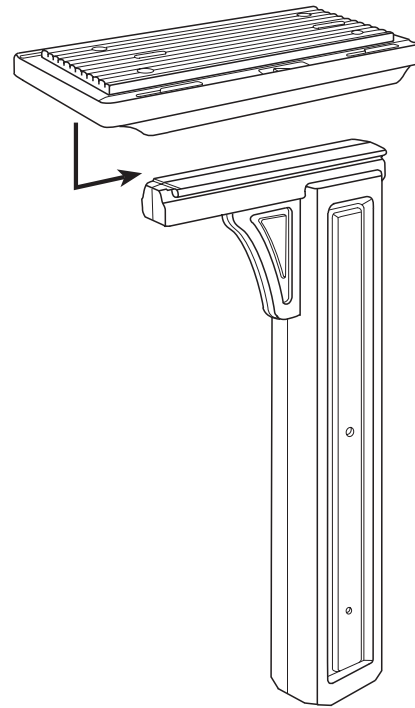


4- #6 x 1 5/8"



**1** Slide base onto post until it snaps into place.

Deslizar la base sobre el poste hasta lo chasquidos en lugar.

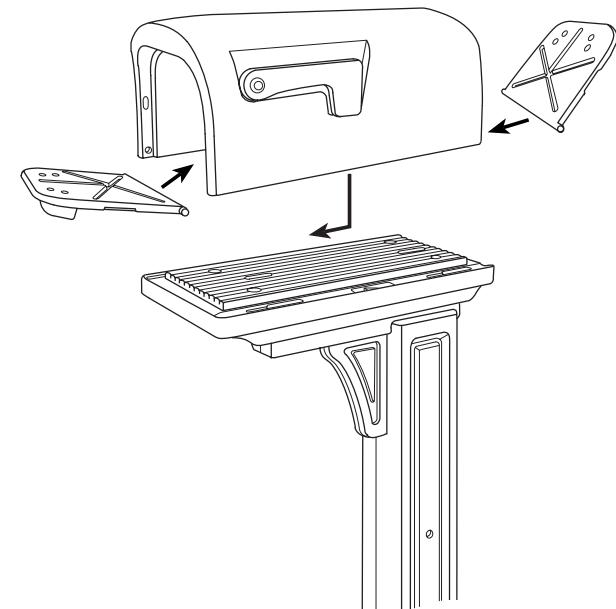


**2** **A** Slide wrap onto base until it snaps into place.

Deslizar la envoltura sobre el base hasta lo chasquidos en lugar.

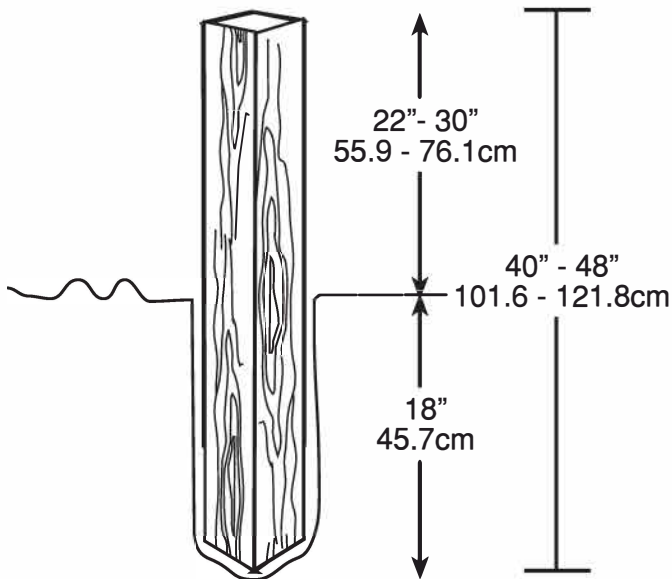
**B** Attach doors to wrap. Insert one pin, then snap the other one in place.

Adjuntar puertas a envoltura. Insertar un alfiler y entonces chasquido el otro en lugar.



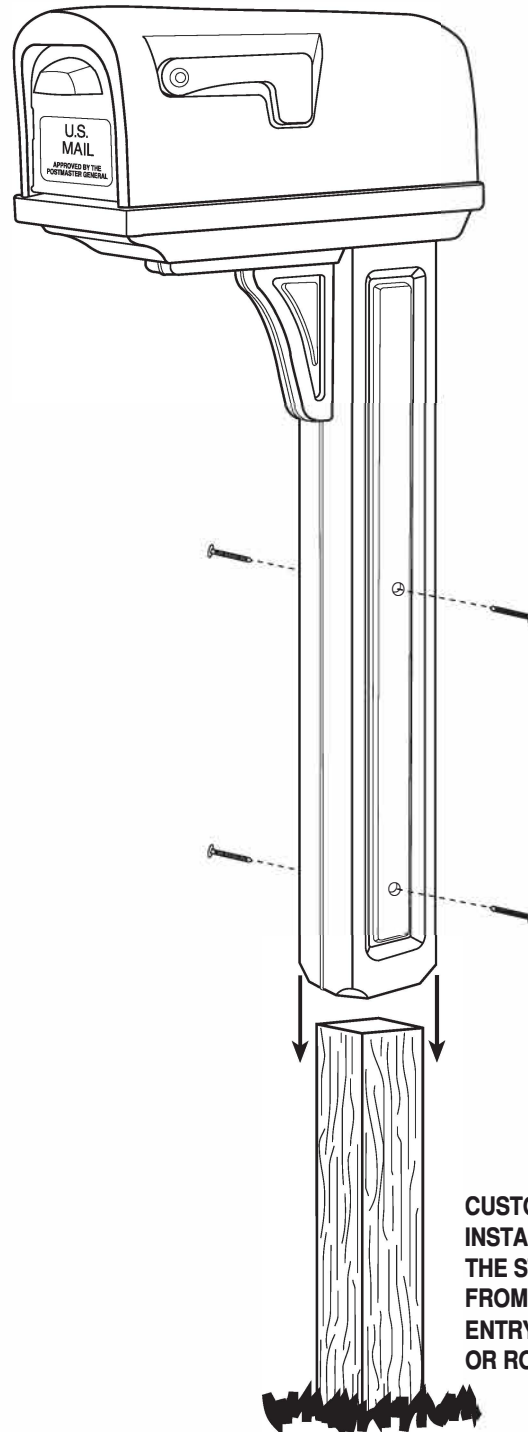
**3** Dig a hole and install 40"- 48" treated 4x4 post (not included.)

Excavar un hoyo e instalar 101.6-128.8cm 4x4 poste con tratamiento (no incluyó.)



**NOTE:** Make sure post is level  
**LA NOTA:** Asegurarel poste es es nivel.

**4** Attach combo to 4x4 post with 4(#6 x 1 5/8") screws.  
Adjuntar unidad a 4x4 poste con 4(#6 x 1 5/8") tornillos.



**CUSTOMERS ARE REQUIRED TO CONTACT THE LOCAL POST OFFICE BEFORE INSTALLING THE MAILBOX TO ENSURE ITS CORRECT PLACEMENT AND HEIGHT AT THE STREET. GENERALLY, MAILBOXES ARE INSTALLED AT A HEIGHT OF 41-45 IN. FROM THE ROAD SURFACE TO INSIDE FLOOR OF THE MAILBOX OR POINT OF MAIL ENTRY (LOCKED DESIGNS) AND ARE SET BACK 6-8 IN. FROM FRONT FACE OF CURB OR ROAD EDGE TO THE MAILBOX DOOR.**

