

Replacement Flag (Model 5285) Installation Instructions

Thank you for purchasing this premium mailbox accessory item. We know you'll be satisfied with the years of service it will provide. If you have any questions about how to mount or use this plaque, or if you need any replacement parts, please call us directly at (310) 374-5700 or contact us at support@architecturalmailboxes.com.

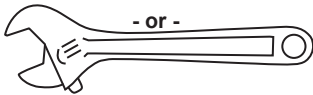
Assembly Instructions

Tools (not included)

Socket wrench



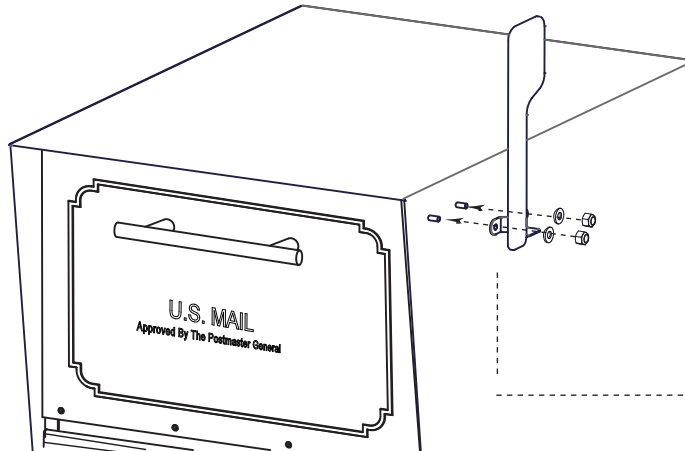
- or -



screwdriver



A For Architectural Mailboxes with built-in threaded studs



1

Attach the flag to the built-in studs and secure with the two nuts and washers. Tighten only until snug.







DO NOT overtighten nuts or it may damage the threaded studs.

flag x1
washers x2
nuts x2

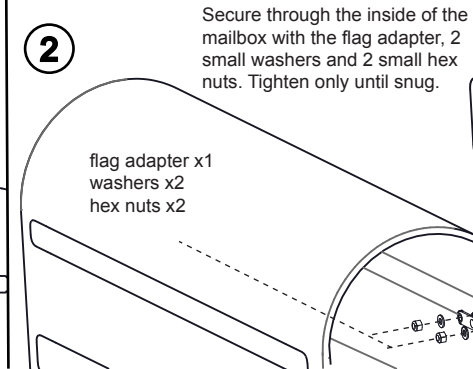
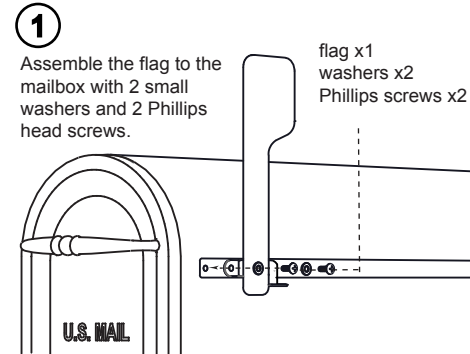
Replacement Flag (Model 5285) Installation Instructions

Hardware (included)

-  x 4 small washers
-  x 2 small hex nuts
-  x 2 Phillips head screws
-  x 1 flag adapter

NOTE: If you plan to install your mailbox in a masonry column, the flag can be mounted directly on the outside of the column with masonry hardware (not included).

B For Architectural Mailboxes with three flag mounting holes



C For Architectural Mailboxes with two flag mounting holes

