

Spreader Spacer Kit (5170) Instructions

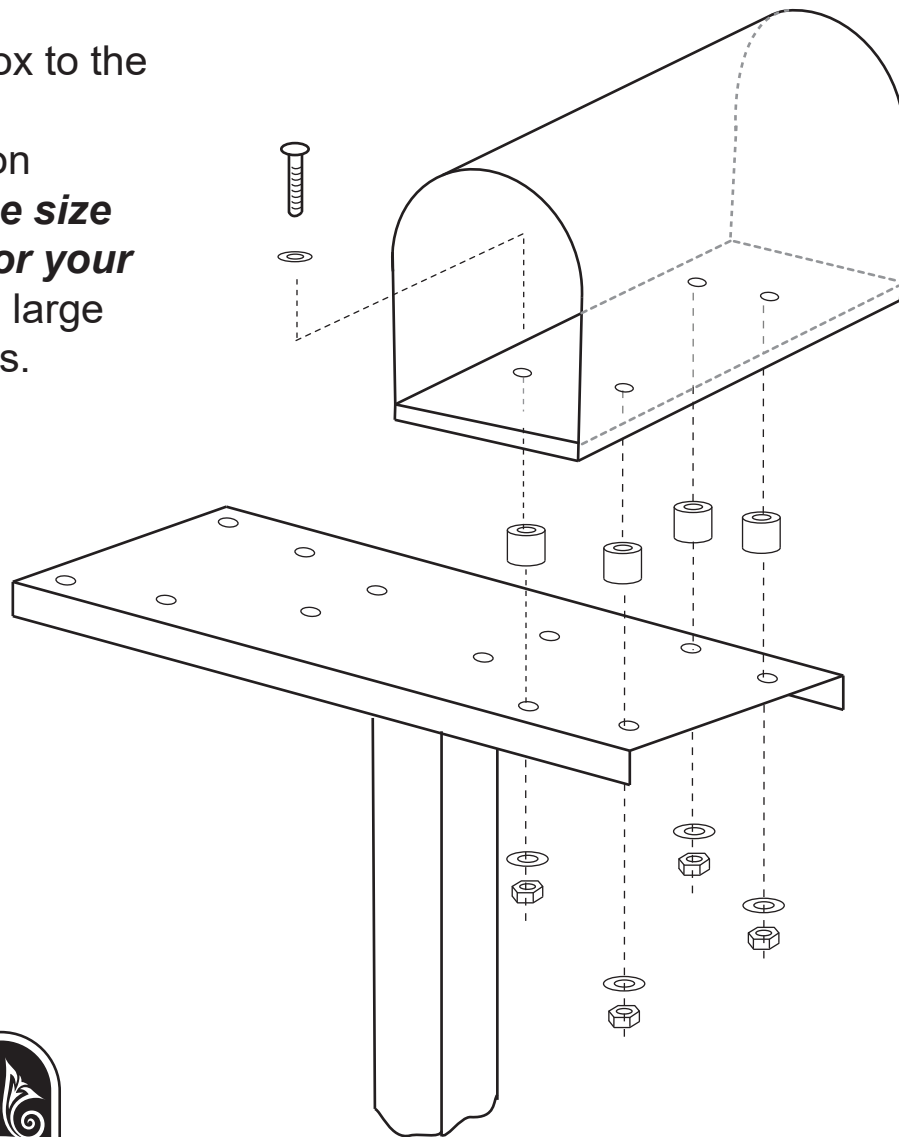
If you have any questions about how to use this kit, please call us directly at (310) 374-5700 or contact us at support@architecturalmailboxes.com.

TO MOUNT A MAILBOX WITH A RECESSED BOTTOM



Refer to the mailbox instructions for general placement requirements.

Attach each mailbox to the spreader using 4, 2" hex bolts, 4 nylon spacers (*select the size that works best for your mailbox depth*), 8 large washers and 4 nuts.



ARCHITECTURAL
MAILBOXES®

www.architecturalmailboxes.com (310) 374-5700

© 2018, Architectural Mailboxes Rev. 1