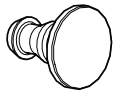


Hardware (included)

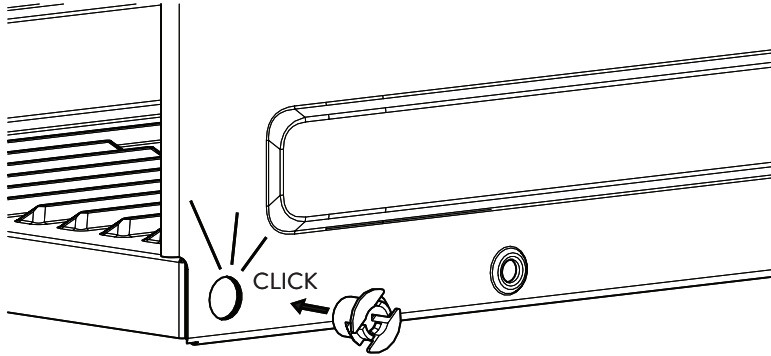


x1, door pin

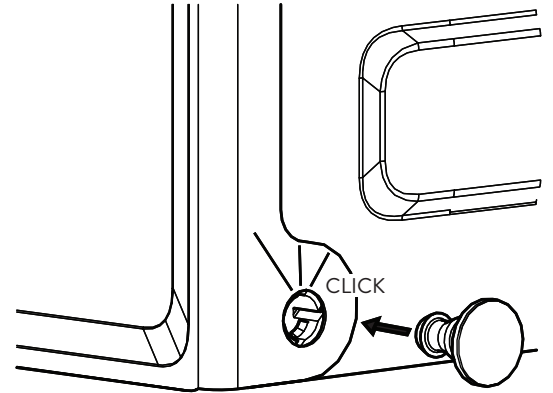


x1, door pin spacer

- 1** Insert the door pin spacer into the hole on the body of mailbox.



- 2** Align the mailbox door with the body and insert the door pin through the hole on the door and into the door pin spacer to secure the door to the body.



Questions, Comments, Concerns?

 www.architecturalmailboxes.com

 support@architecturalmailboxes.com

Need keys? Visit us at...

www.architecturalmailboxes.com/keys

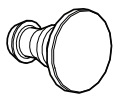
Rev. E © 2020, Architectural Mailboxes, LLC

Find us on social media!



@archmailboxes

Hardware (included)

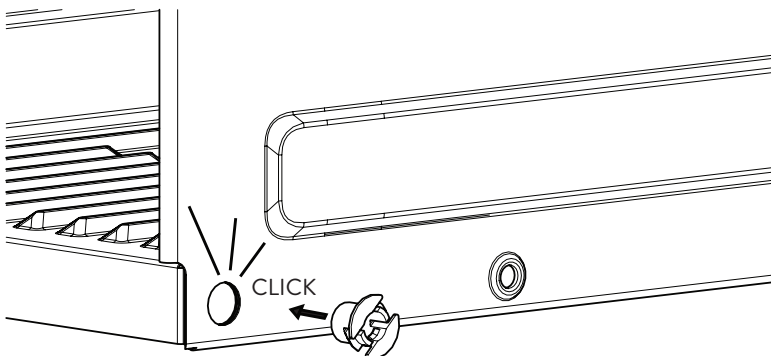


x1, door pin

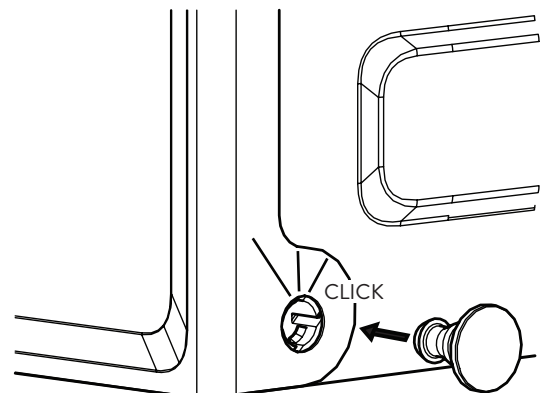


x1, door pin spacer

- 1** Insert the door pin spacer into the hole on the body of mailbox.



- 2** Align the mailbox door with the body and insert the door pin through the hole on the door and into the door pin spacer to secure the door to the body.



Questions, Comments, Concerns?

 www.architecturalmailboxes.com

 support@architecturalmailboxes.com

Need keys? Visit us at...

www.architecturalmailboxes.com/keys

Rev. E © 2020, Architectural Mailboxes, LLC

Find us on social media!



@archmailboxes