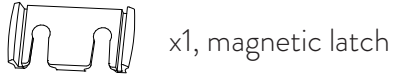
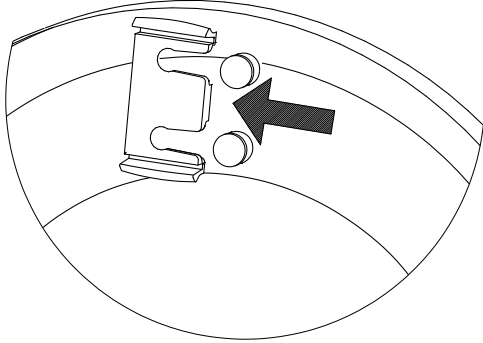


Magnetic Latch Replacement Instructions MODELS 7600 & 7900

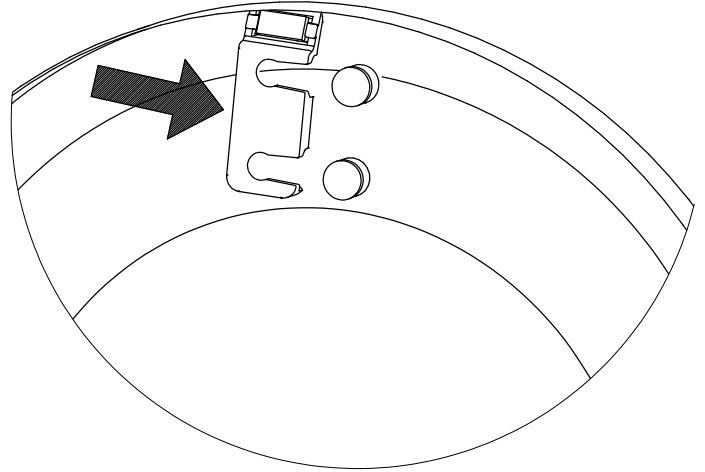
Hardware (included)





- 1 Remove existing latch by sliding it horizontally until it is removed from the handle pegs.



- 2 Slide the new latch over the handle pegs in the orientation shown until clicked in place.



Questions, Comments, Concerns?

 www.architecturalmailboxes.com
 support@architecturalmailboxes.com

Need keys? Visit us at...

www.architecturalmailboxes.com/keys

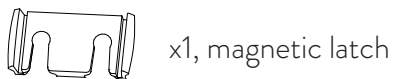
Rev. E © 2020, Architectural Mailboxes, LLC

Find us on social media!

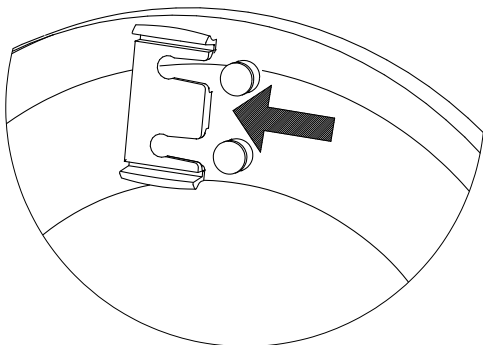
  
 @archmailboxes

Magnetic Latch Replacement Instructions MODELS 7600 & 7900

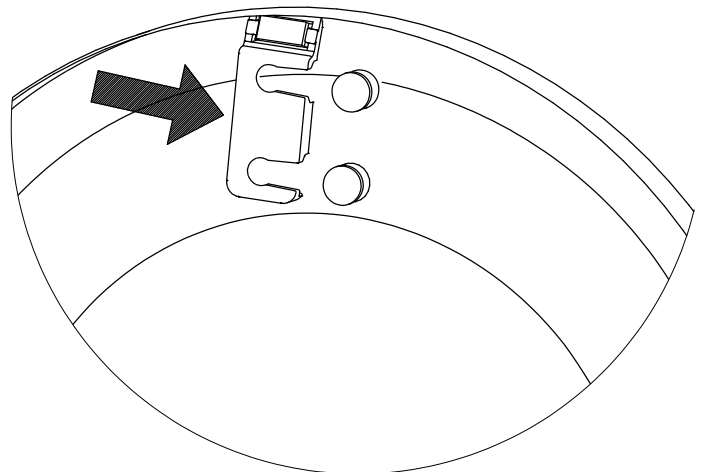
Hardware (included)





- 1 Remove existing latch by sliding it horizontally until it is removed from the handle pegs.



- 2 Slide the new latch over the handle pegs in the orientation shown until clicked in place.



Questions, Comments, Concerns?

 www.architecturalmailboxes.com
 support@architecturalmailboxes.com

Need keys? Visit us at...

www.architecturalmailboxes.com/keys

Rev. E © 2020, Architectural Mailboxes, LLC

Find us on social media!

  
 @archmailboxes