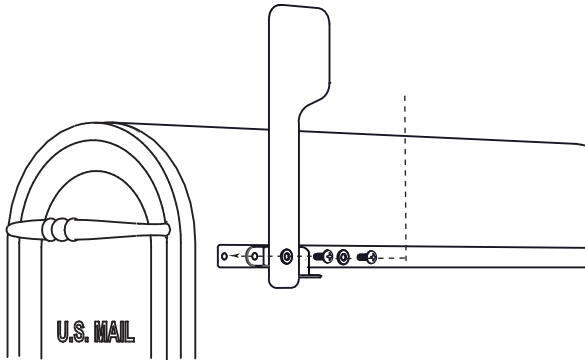


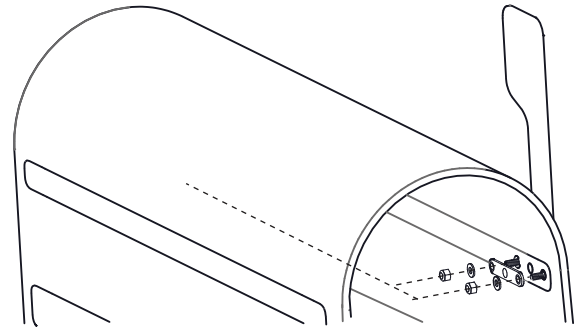
Parts



1 Attach the flag to the mailbox with 2 small washers and 2 Phillips head screws.



2 Secure through the inside of the mailbox with the flag adapter, 2 small washers and 2 small hex nuts. Tighten only until snug.



Questions, Comments, Concerns?

www.architecturalmailboxes.com
support@architecturalmailboxes.com

Need keys? Visit us at...

www.architecturalmailboxes.com/keys

Rev. E © 2020, Architectural Mailboxes, LLC

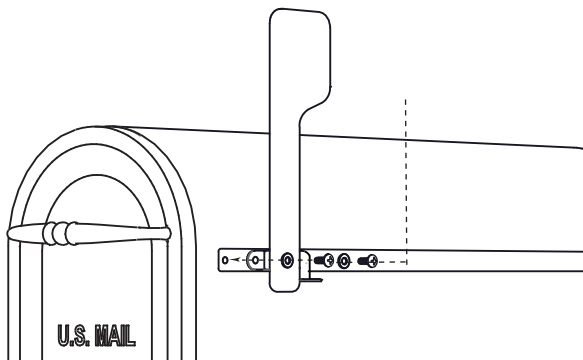
Find us on social media!



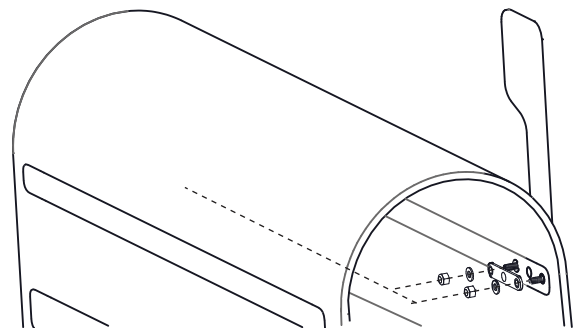
Parts



1 Attach the flag to the mailbox with 2 small washers and 2 Phillips head screws.



2 Secure through the inside of the mailbox with the flag adapter, 2 small washers and 2 small hex nuts. Tighten only until snug.



Questions, Comments, Concerns?

www.architecturalmailboxes.com
support@architecturalmailboxes.com

Need keys? Visit us at...

www.architecturalmailboxes.com/keys

Rev. E © 2020, Architectural Mailboxes, LLC

Find us on social media!

