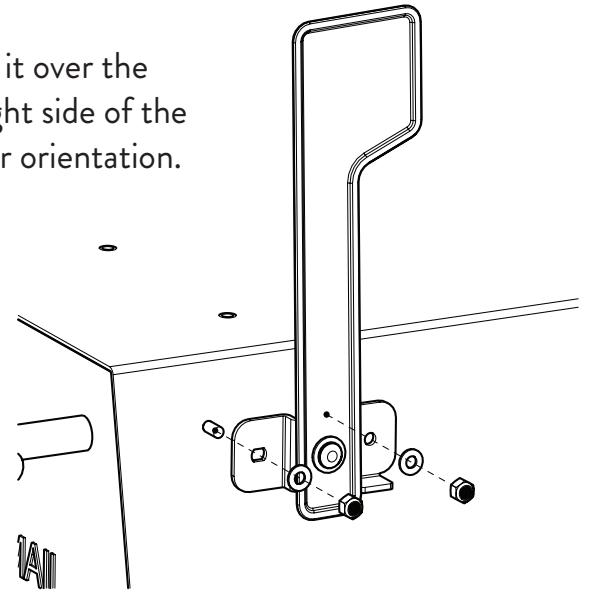




To attach the flag, slide it over the threaded rods on the right side of the mailbox, ensuring proper orientation.



Then, place the washers over the rods and secure the flag with the nuts. Tighten the nuts with a wrench.

Questions, Comments, Concerns?

 www.architecturalmailboxes.com
 support@architecturalmailboxes.com

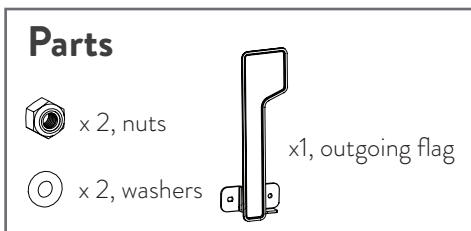
Need keys? Visit us at...

www.architecturalmailboxes.com/keys

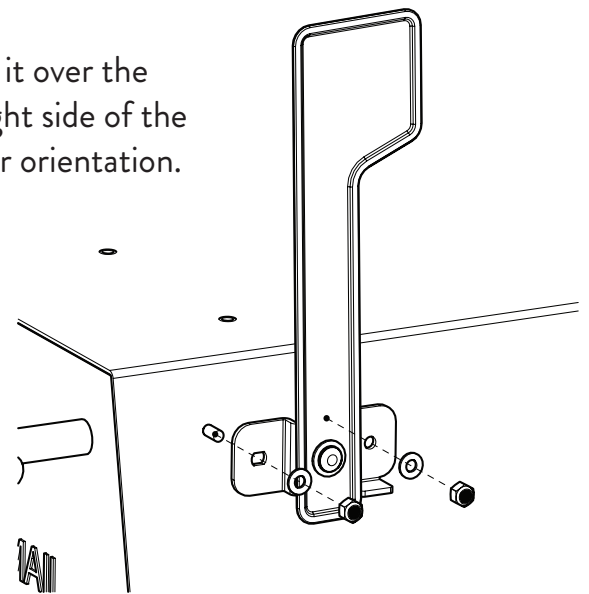
Rev. E © 2020, Architectural Mailboxes, LLC

Find us on social media!

  
 @archmailboxes





To attach the flag, slide it over the threaded rods on the right side of the mailbox, ensuring proper orientation.



Then, place the washers over the rods and secure the flag with the nuts. Tighten the nuts with a wrench.

Questions, Comments, Concerns?

 www.architecturalmailboxes.com
 support@architecturalmailboxes.com

Need keys? Visit us at...

www.architecturalmailboxes.com/keys

Rev. E © 2020, Architectural Mailboxes, LLC

Find us on social media!

  
 @archmailboxes