



## Hardware (included)

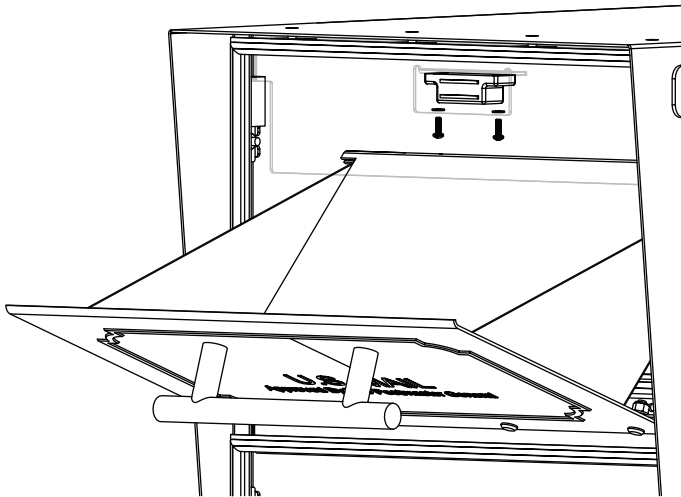
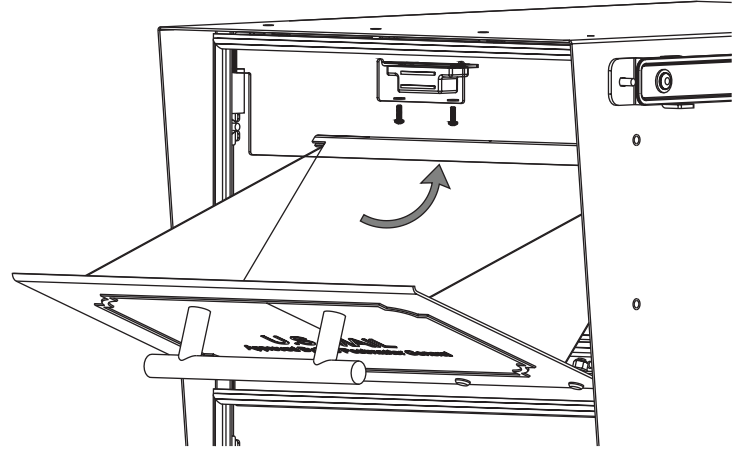


x2, small washers



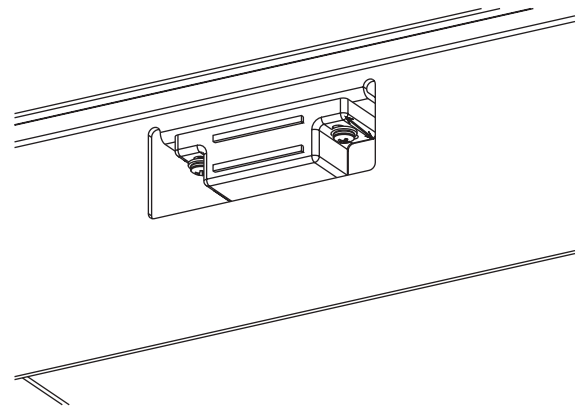
x2, Philips-head screws

- 1 Open the hopper door halfway and remove the existing magnet by unscrewing the two Philips-head screws. The screws can be accessed behind the front cross bar.



- 2 Align the new magnet into position and attach with the provided hardware.

- 3 Adjust the magnet forward or backward before fully tightening screws to determine desired magnet strength.



## Questions, Comments, Concerns?

 [www.architecturalmailboxes.com](http://www.architecturalmailboxes.com)

 [support@architecturalmailboxes.com](mailto:support@architecturalmailboxes.com)

## Need keys? Visit us at...

[www.architecturalmailboxes.com/keys](http://www.architecturalmailboxes.com/keys)

## Find us on social media!



@archmailboxes