

Universal Mailbox Adapter for 4 X 4 Wooden Post (Model 7540) Assembly Instructions

Thank you for purchasing this premium mailbox accessory item. We know you'll be satisfied with the years of service it will provide. If you have any questions about how to mount or use this post, or if you need any replacement parts, please call us directly at (800) 464-7491 or contact us at www.architecturalmailboxes.com.

This product can be used to attach any mailbox with a standard 4"x10" mailbox floor-mount bolt pattern, many other floor-mount bolt patterns, and any mailbox with a standard 11-1/4" side flange mount screw pattern. This includes all mailboxes made by Architectural Mailboxes, and all common T1 and T2 style mailboxes.

Tools (not included)

Screwdriver
Wrench
Power screwdriver

Hardware

small nuts (x4)
large nuts (x4)
washers (x8)
wood screws (x6)
long narrow screws (x4)
short thick screws (x4)
nylon spacers (x4)

1 Pick a mounting type to suit your application

| | | |
|---|---|---|
| <p>On top of 4x4 post</p> | <p>On forward facing arm</p> | <p>On side arm or 4x4 rail</p> |
| <p>wood screws x6 (3 each side) small nuts x4</p> | <p>wood screws x6 (3 each side) small nuts x4</p> <p>NOTE: Depending on the mailbox floor style, you may need to raise the bracket for extra clearance.</p> | <p>small nuts x4 wood screws x6 (3 each side)</p> |

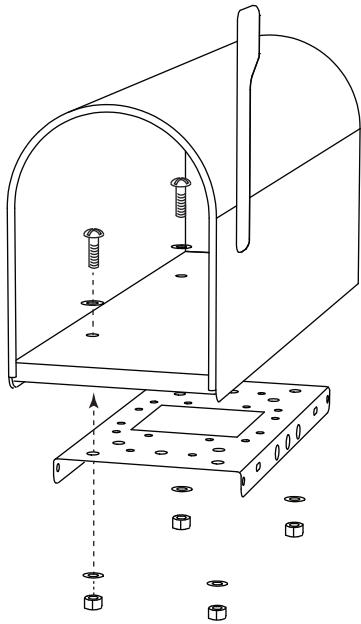


ARCHITECTURAL
MAILBOXES®

Universal Mailbox Adapter for 4 X 4 Wooden Post (Model 7540) Assembly Instructions (continued)

2 Mount your mailbox to the installed bracket

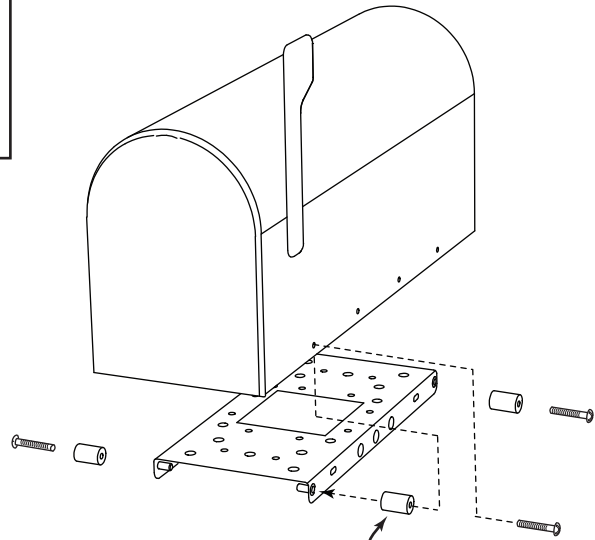
If your mailbox has mounting holes in the floor . . .



Use the 4 large nuts, 8 washers and 4 short thick screws to attach your mailbox to the adapter.

If your mailbox has mounting holes on the side . . .

Some mailboxes have both styles of mounting holes - choose what suits you best.



Spacers are optional. Use for larger mailboxes.

Use the 4 long narrow screws to attach your mailbox to the adapter. Only use the spacers if your mailbox is the larger T2 style. Additional hardware (not included) may be required for extra large mailboxes.