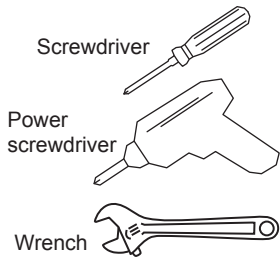


Adapter for 4 X 4 Wooden Post (Model 7530) Assembly Instructions

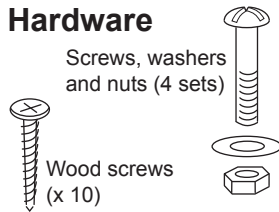
Thank you for purchasing this premium mailbox accessory item. We know you'll be satisfied with the years of service it will provide. If you have any questions about how to mount or use this post, or if you need any replacement parts, please call us directly at (800) 464-7491 or contact us at www.architecturalmailboxes.com.

This product is used to attach any Architectural Mailbox to a 4X4 Wooden Post

Tools (not included)



Hardware



1

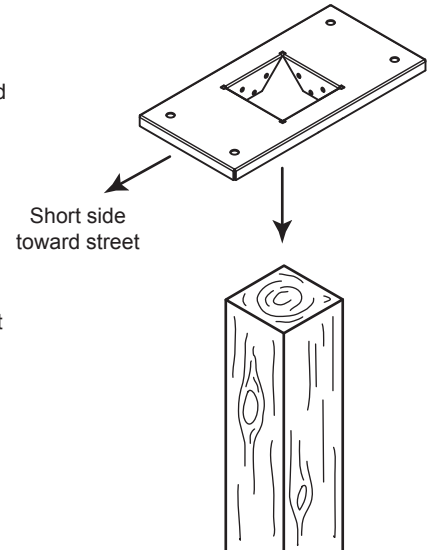
Install the 4X4 wooden post into the ground. A concrete footing is recommended. Use a 4X4 that is in good condition and has a clean square cut at the top.

According to the United States Postal Service regulations for curbside installations, the height from the road level to the mail entry point must be between 41 and 45 inches, and the set back distance from the curb to the mailbox handle must be between 6 and 8 inches.

2

Attach the Adapter to the 4X4 wooden post using the included wood screws, making sure the Adapter remains level. Use enough screws to ensure a secure installation. Make sure all sides are secured so the Adapter will resist movement from front to back and side to side. Make sure the adapter is positioned with one of the short sides toward the street.

Attach the mailbox to the Adapter using the included screws, nuts and washers.



ARCHITECTURAL
MAILBOXES®