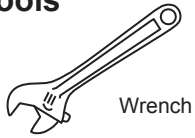


Universal Newspaper Receptacle (Model 5518) Instructions

Thank you for purchasing this Architectural Mailboxes Accessory. These instructions assume you have already purchased one of our mailboxes and posts. If you have any questions about how to mount or use this post, or if you need any replacement parts, please call us directly at (800) 464-7491 or contact us at www.architecturalmailboxes.com.

Tools



This Newspaper Receptacle is compatible with Architectural Mailboxes Standard Square In-ground and Surface Mount Posts (models 5105, 5106, 5525 and 5526), and the Decorative Side Mount In-ground Post (model 6215). Please refer to the section of these instructions relevant to your Post and Mailbox model.

Hardware

x4, 1-5/8" bolts



x4, 5/8" bolts



x8, 5/16" flat washers



x4, 5/16" nuts



x4, nylon spacers
(not used for all configurations)



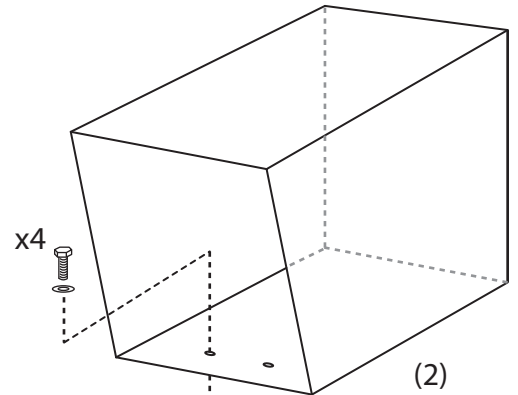
For Post Models 5105 and 5106 used with Oasis and Oasis Jr. Mailboxes

Note: The Decorative Side Mount In-ground Post (model 6215) is not compatible with the Newspaper Receptacle when used with Oasis or Oasis Jr. Mailboxes.

- 1 Attach the Newspaper Receptacle to the post support plate using the hardware included with the post.

DO NOT use the hardware included with this Newspaper Receptacle. This is reserved for attaching the Mailbox to the Newspaper Receptacle in Step 2.

- 2 Attach the Mailbox to the Newspaper Receptacle using the 5/8" bolts, washers and nuts included with this Newspaper Receptacle.



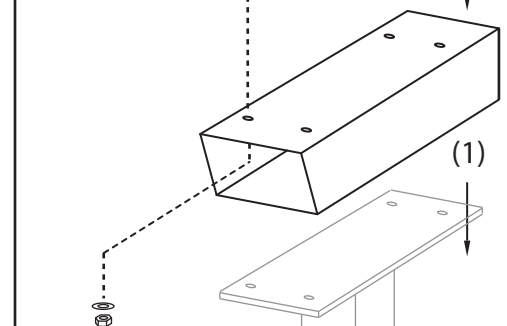
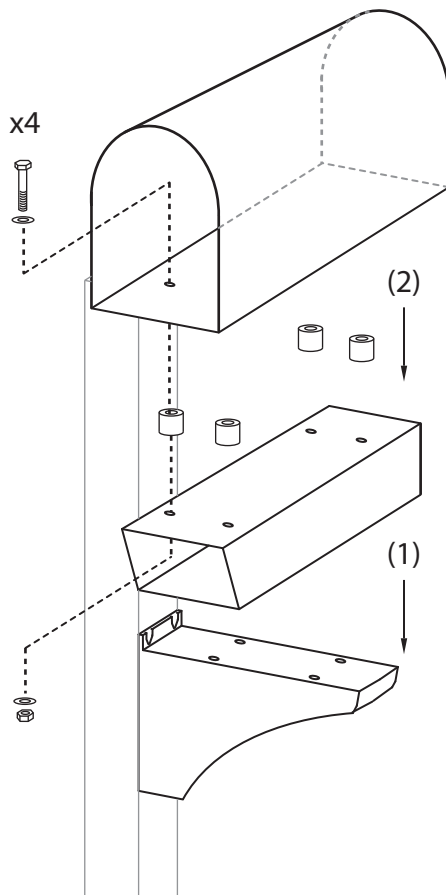
For Post Models 5525, 5526 and 6215 used with Coronado and Bellevue Mailboxes

- 1 Attach the Newspaper Receptacle to the post support plate or arm using the hardware included with the post.

DO NOT use the hardware included with this Newspaper Receptacle. This is reserved for attaching the Mailbox to the Newspaper Receptacle in Step 2.

- 2 Attach the Mailbox to the Newspaper Receptacle using the 1-5/8" bolts, washers and nuts included with this Newspaper Receptacle.

Make sure the nylon spacers are placed between the mailbox floor and the newspaper receptacle. This raises the mailbox to provide more room for larger newspapers.



ARCHITECTURAL
MAILBOXES®

www.architecturalmailboxes.com (800) 464-7491

© 2012, Architectural Mailboxes Rev. C