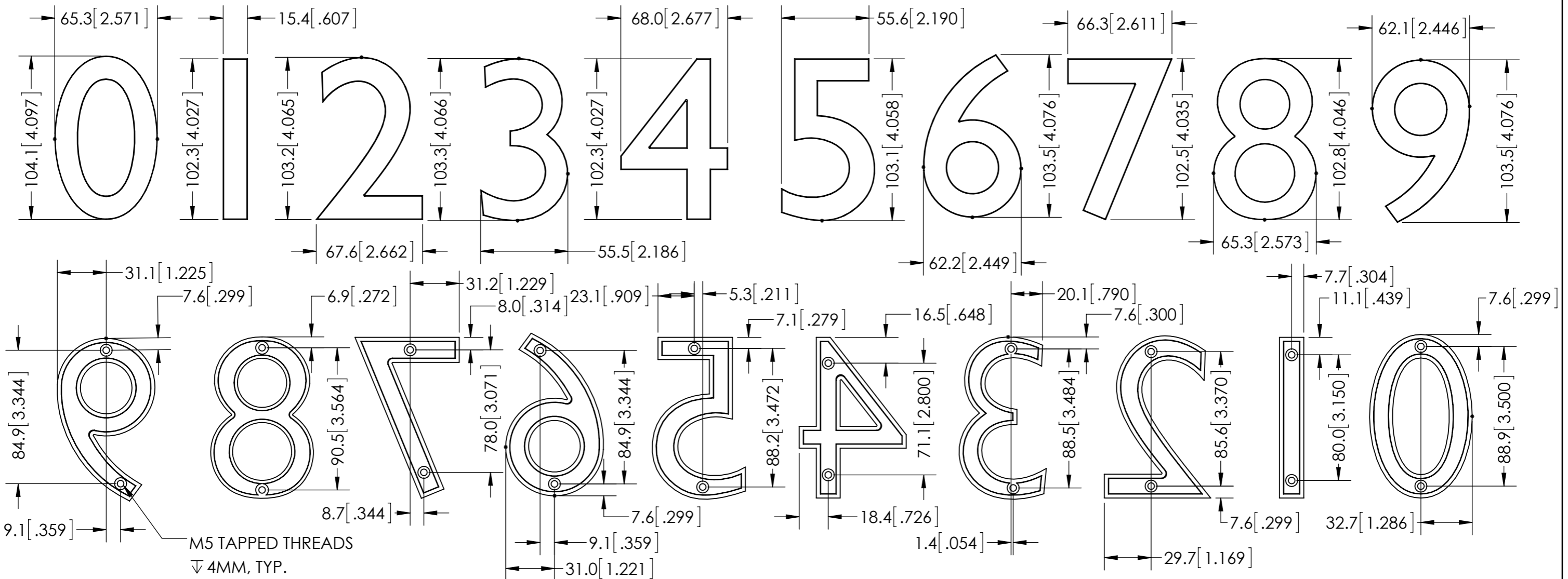
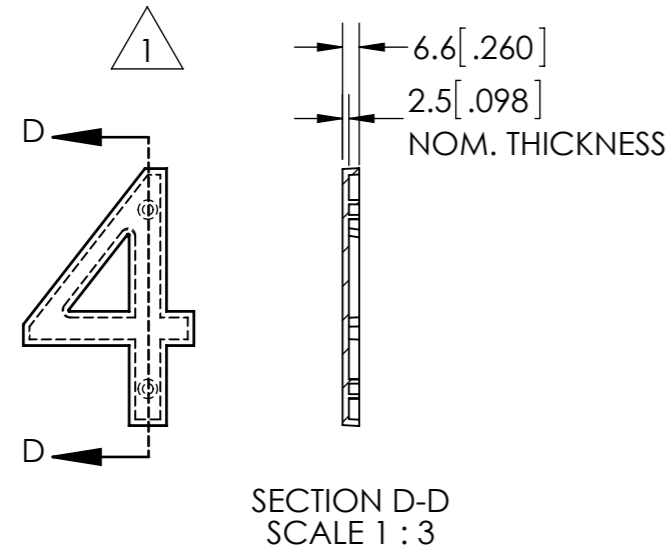


REVISION	DESCRIPTION	APPROVED	DATE
A	PRODUCTION RELEASE	C.F.	08/22/14



M5 TAPPED THREADS
▽ 4MM, TYP.



P/N CONFIGURATION
3582FFF-N

FFF FINISH CODE
 AB - ANTIQUE BRASS
 AC - ANTIQUE COPPER
 APA - ANTIQUE PEWTER MOTTLED
 B - BLACK PAINTED
 DC - DARK AGED COPPER
 PB - POLISHED BRASS
 SN - SATIN NICKEL

N NUMBER CODE - NUMBER 0-9

*INCLUDED HARDWARE
 (2) WOOD/SCREW THREADED STUDS - M5 NUT THREADED END X 8.5MM LENGTH,
 5MM WOOD SPIRAL X 16.5MM LENGTH, TOTAL LENGTH 35MM, ZINC PLATED STEEL
 (2) PLASTIC WALL ANCHOR - NATURAL - 34MM LENGTH, 7.7MM DIA

- NOTES:
1. TAPPED BOSS DIMENSIONS ARE TYPICAL, 2 PL FOR EACH NUMBER.
 2. FOR GREATER DETAIL, SEE THE CORRESPONDING 3D MODEL FILE
 3. GENERAL SPECIFICATIONS: ARCHITECTURAL MAILBOXES PRODUCT QUALITY CRITERIA DOCUMENT

UNLESS OTHERWISE SPECIFIED: DIMENSIONS ARE IN MILLIMETERS [INCHES]		TITLE: 4" HOUSE NUMBERS	
TOLERANCES	.X ±0.3 .XX ±0.13 .XXX ±0.013		
	.X° ±0.1°		
DRAWN	NAME: RP	DATE: 08/22/14	DWG NO. 3582
CHK'D			
APP'VD	CF	08/22/14	
MATERIAL: FORGED BRASS, 2.5MM NOM THICK			REVISION A
FINISH: SEE P/N CONFIGURATION FOR PLATING ELECTROPHORETIC LACQUER, 15 MICRONS			
CONFIDENTIAL			SCALE: N.T.S. DO NOT MEASURE
			SHEET 1 OF 1