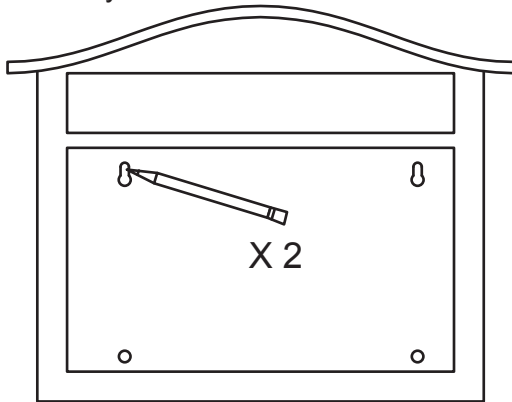


# Mounting and Use Instructions

Thank you for purchasing this premium locking mailbox. We know you'll be satisfied with the years of service it will provide. If you have any questions about how to mount or use this mailbox, or if you need any replacement parts, please call us directly at (800) 464-7491 or contact us as [www.architecturalmailboxes.com](http://www.architecturalmailboxes.com).

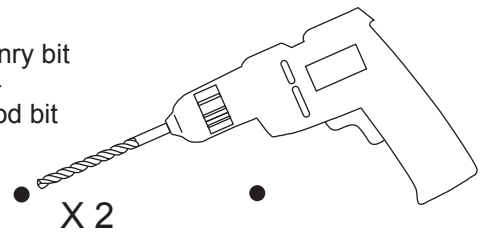
## Mounting your new mailbox

- 1 Mount the mailbox under an eave or other protected area. While holding the opened box against the wall at the desired location, mark the wall at the top of each top mounting hole. Use a level to make sure the box is positioned correctly.

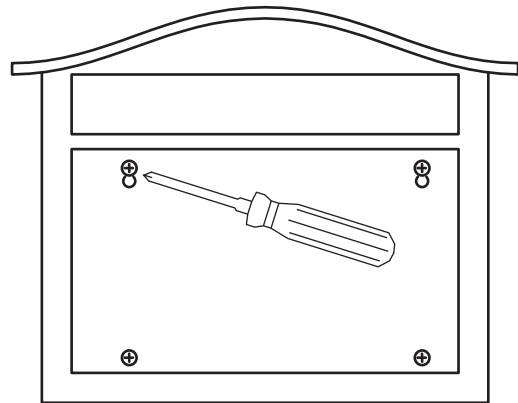


- 2 Drill into the wall at each marked location. Use a 1/4" drill bit for brick or other masonry wall. Use a 1/16" drill bit for wood wall.

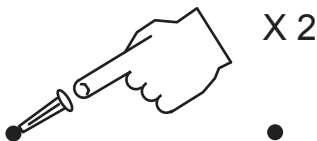
1/4" masonry bit  
- or -  
1/16" wood bit



- 4 A) Mount the box temporarily using two screws partially screwed into the top holes.  
B) Mark the wall at the center of the two bottom holes and remove the box by lifting and sliding it off the two top screws.  
C) Repeat steps 2 and 3 for the two bottom holes.  
D) Securely remount the box using all 4 included screws.



- 3 For brick or other masonry wall, insert a plastic anchor (included) into each hole. Tap in gently if necessary. This step is not required if mounting on a wood wall.



## Using your new mailbox

**INCOMING MAIL** - Your new mailbox is equipped with an incoming slot for mail delivery. The slot is large enough to fit many commonly delivered items.

**KEYS** - Your new mailbox comes with two keys. The keys allow access to the mail storage compartment. To retrieve incoming mail, simply open the access door with the key.

  
ARCHITECTURAL  
MAILBOXES®