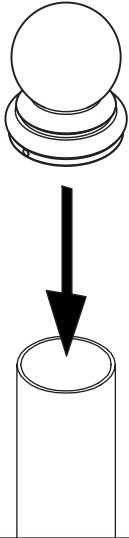


4

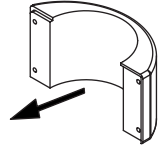
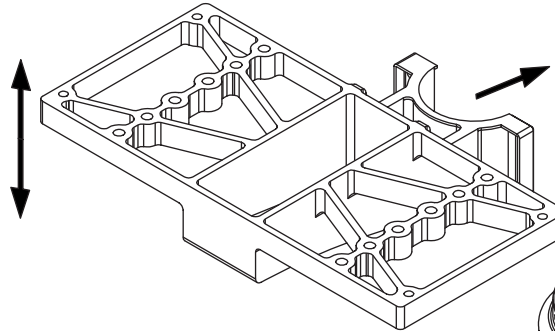
Attach the finial to the top of the post using the three 1/4" set screws.



5

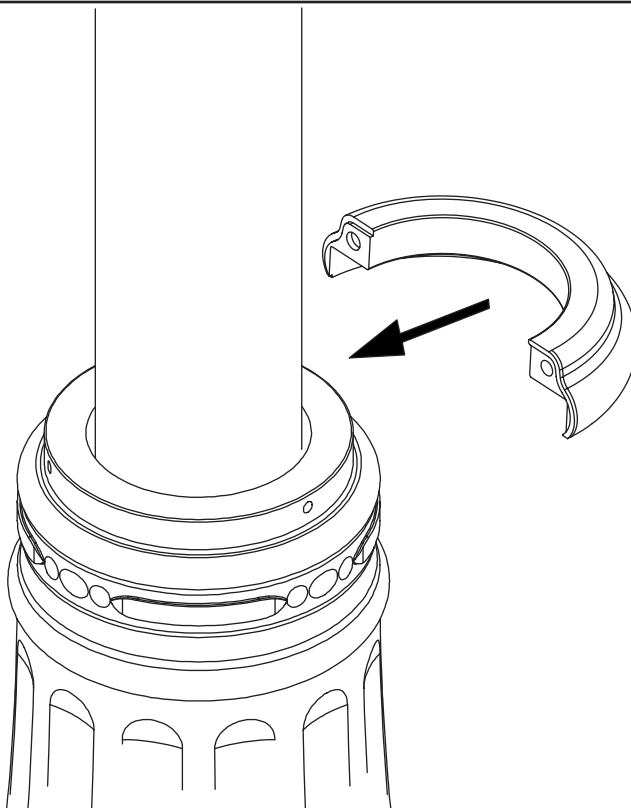
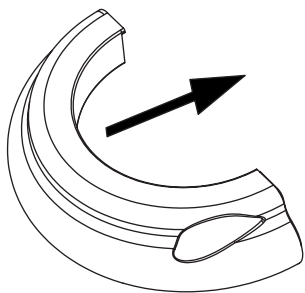
Locate the correct height for the support arm. According to USPS requirements, the top surface of the arm should rest from 41" to 45" from the road surface. Refer to the mailbox instructions for more details.

Attach the arm to the post using the four 1" cap screws and the four 1/4" lock washers. Make sure all screws are even and snug.



6

Attach the shroud collar to the post at the top of the shroud using the 3/4" cap screws. The collar is designed to cover the set screws on the shroud.



7

Attach the mailbox to the support arm using the four 1-3/4" Phillips screws, four 5/16" hex nuts and four 5/16" flat washers. Place the washers next to the nuts.

